

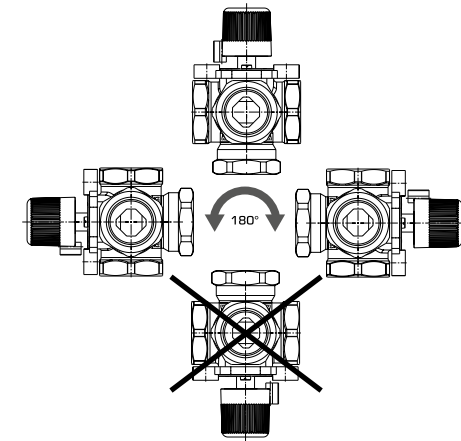
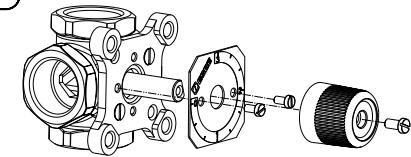
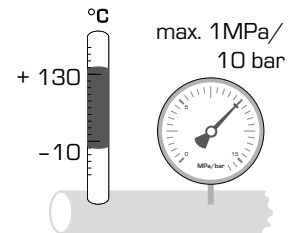


**SERIES 5MG**

**ESBE**  
NO.1 IN HYDRONIC SYSTEM CONTROL

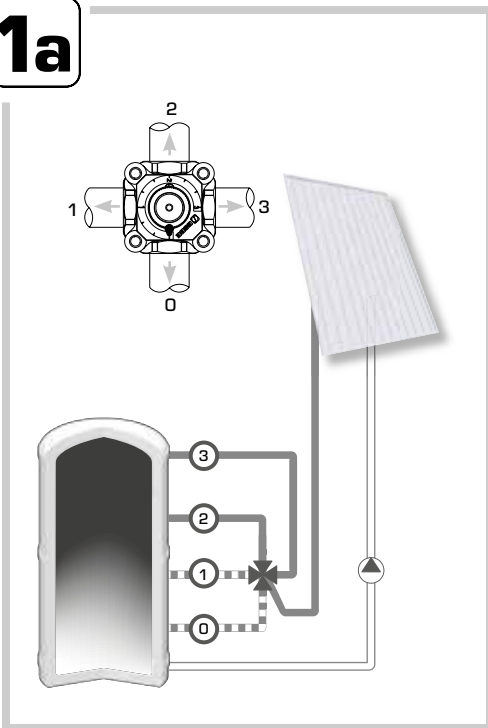


Series 5MG

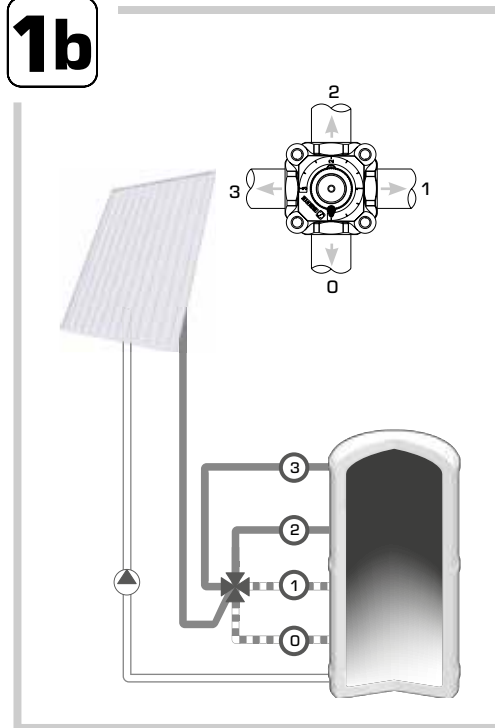


Mtrl.nr: 9814 02 81 • Ritn.nr: 9146 utg. B • Rev. 1709

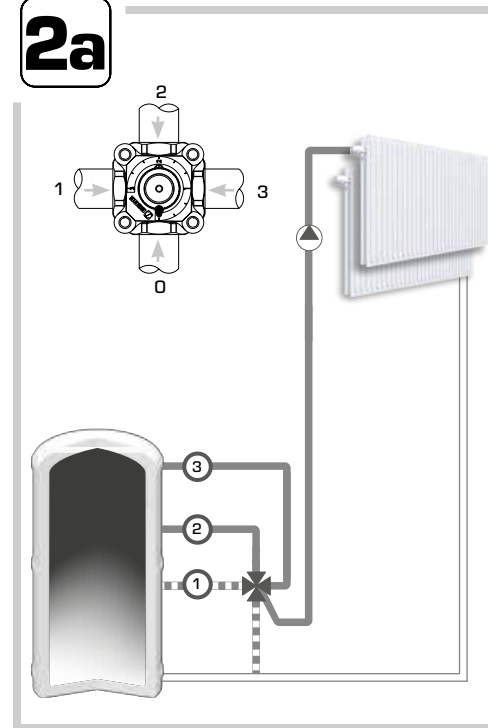
**1a**



**1b**



**2a**



**2b**

