

## Option Series ALA & ALD

Stem Heater Art. No. 2610 19 00

ESBE Actuators:

Series ALA, ALD with Supply voltage 24V,  
for valves DN 15 - 50 with stroke 20mm

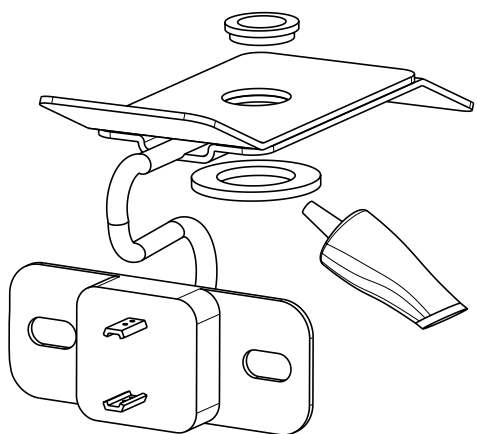


[www.esbe.se](http://www.esbe.se)

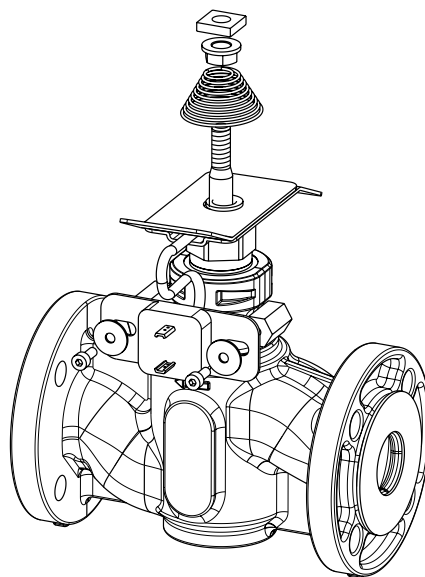
Mtrl.Nr 9814 02 32 • Ritn.Nr 6160 utg. C • Rev. 1105

A

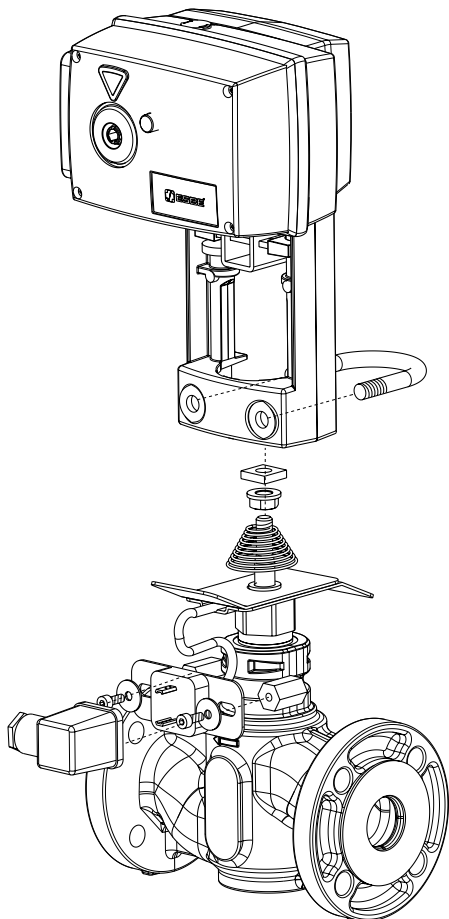
1)



2)



3)



4)

