



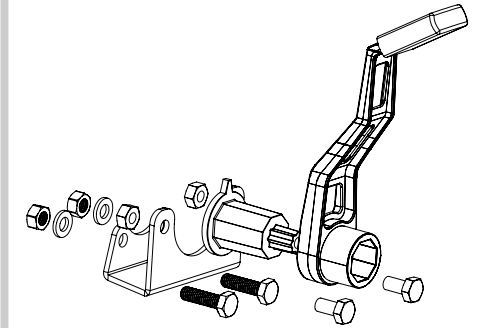
Series VBF801

**SERIES VBF801
ADAPTOR KIT VBF-90**

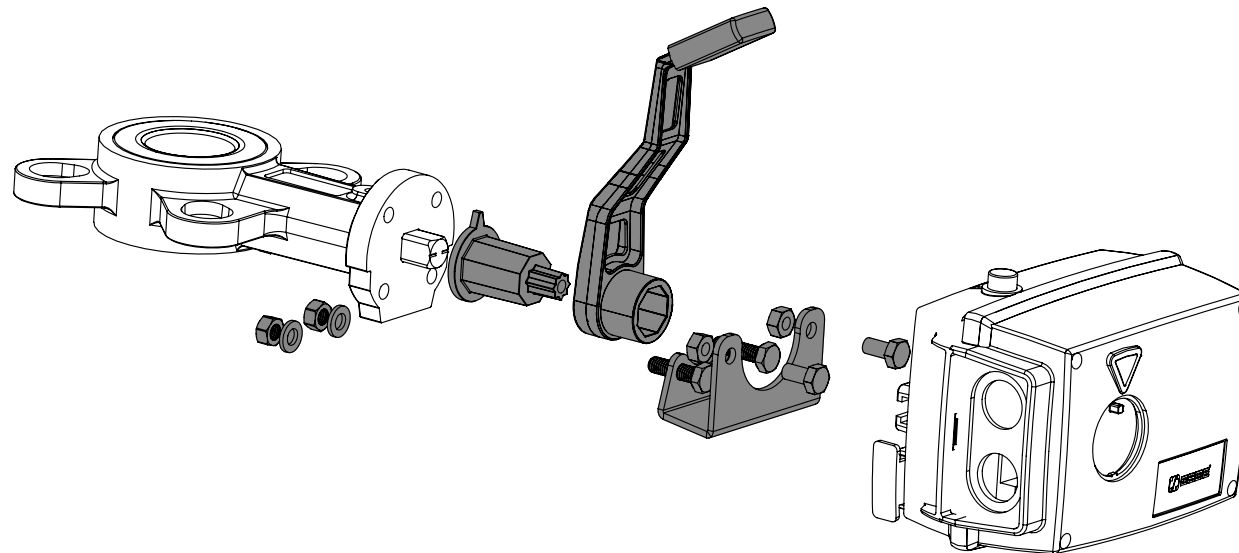


Mtrl.nr: 9814 10 42 • Ritn.nr: 8553 vers. A • Rev. 1808

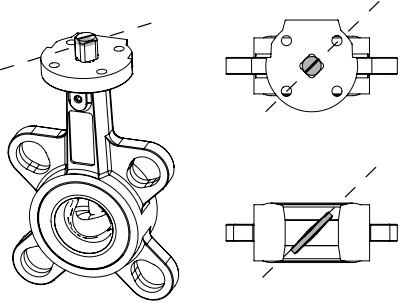
1



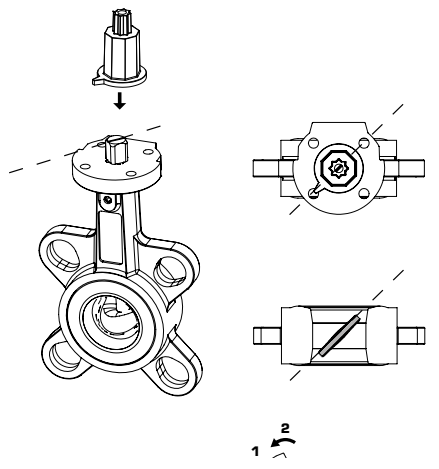
ADAPTOR KIT VBF-90



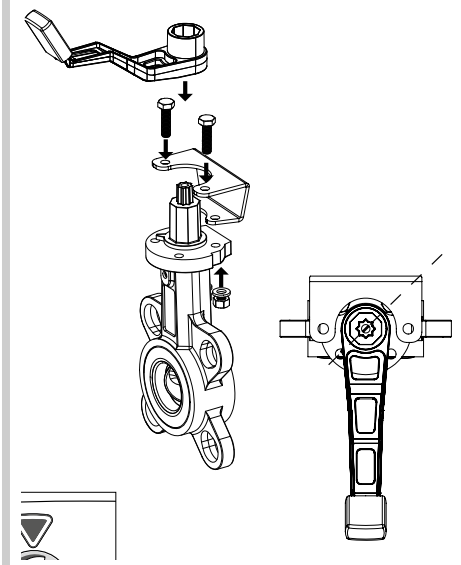
1



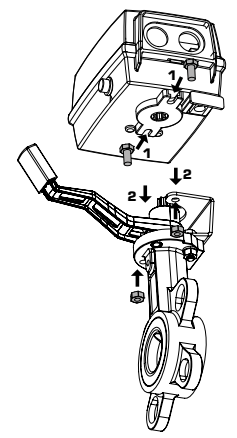
2




3

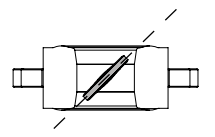
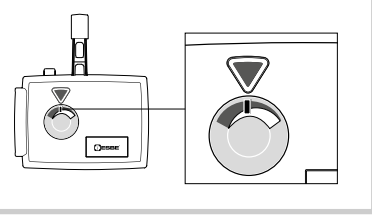


4

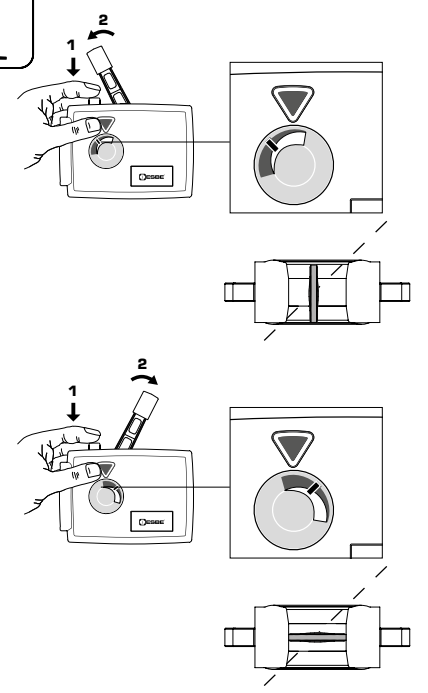


i

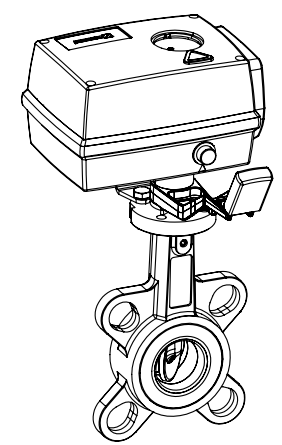
 **Factory Setting**



i



i



i



<http://www.esbe.eu/global/en/products/rotary-valves>