



**AUXILIARY SWITCH KIT
SERIE 90**

ESBE[®]
NO.1 IN HYDRONIC SYSTEM CONTROL



- ✓
- Series 91
- Series 92
- Series 92-2
- Series 93
- Series 94
- Series 95
- Series 95-2
- Series 96
- Series 97
- Series 98



LVD 2014/35/EU
EMC 2014/30/EU
RoHS 2011/65/EU



- ~~Series 92P~~
- ~~Series 92P2~~
- ~~Series 92P4~~

Mtrl.nr: 9814 09 47 • Ritn.nr: 9271 utg. A • Rev. 1511

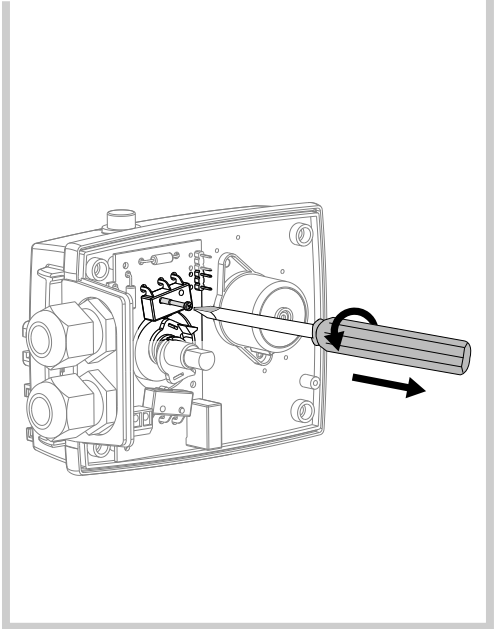
1

2

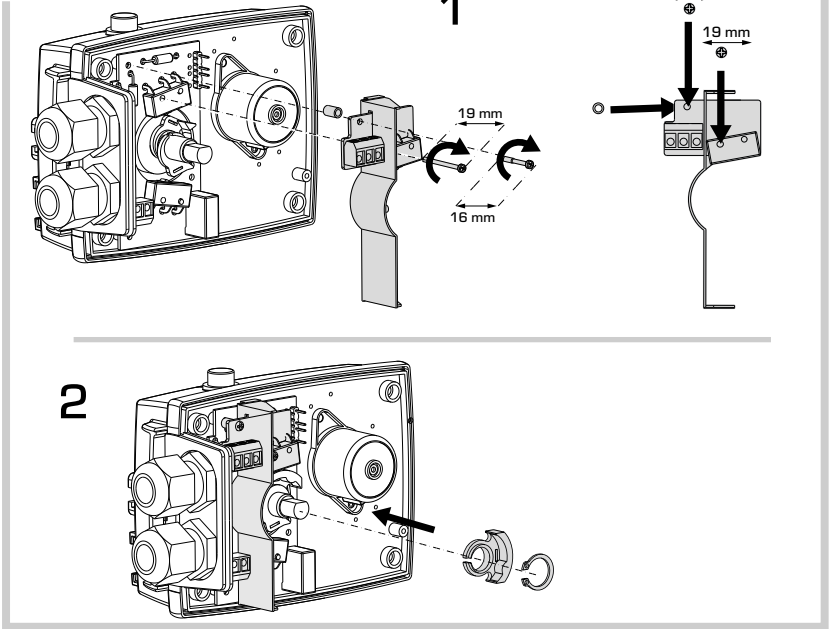
3

4

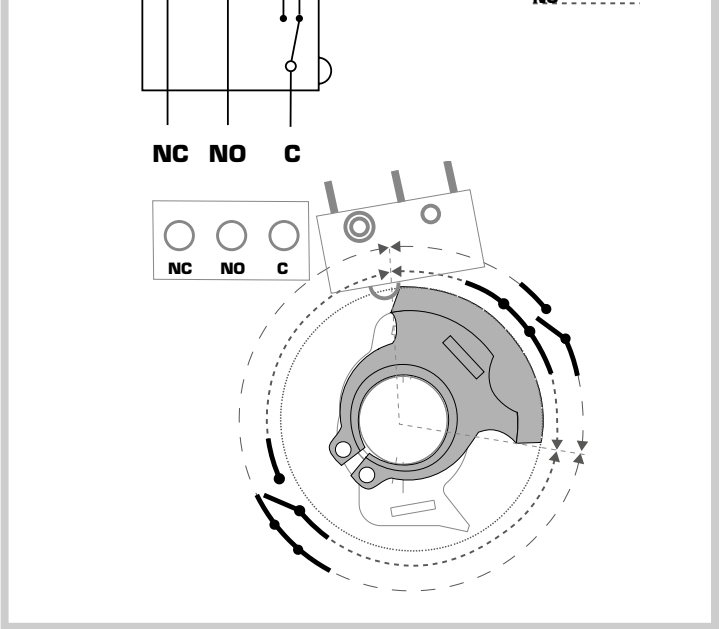
4 



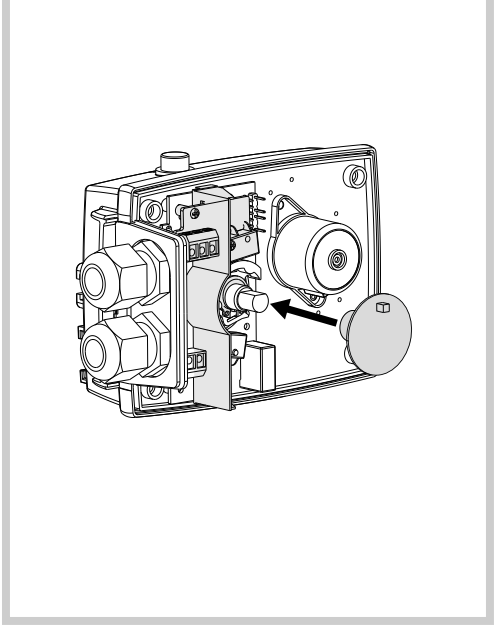
5 



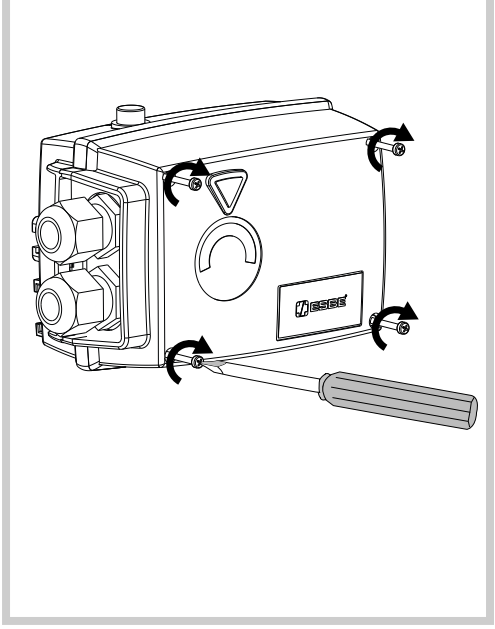
i



6 



7 



8

