



Damper Assembly



SERIES ARD100/ARD200

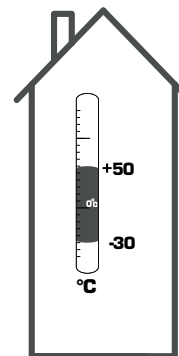


NO.1 IN HYDRONIC SYSTEM CONTROL

Series ARD100
Series ARD200

CE

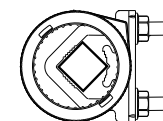
LVD 2006/95/EC valid until April 19th	2016
LVD 2014/35/EU valid from April 20th	2016
EMC 2004/108/EC valid until April 19th	2016
EMC 2014/30/EU valid from April 20th	2016
RoHS 2011/65/EU	



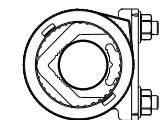
Series ARD100



Series ARD200

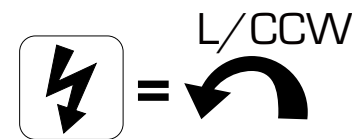
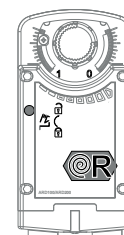
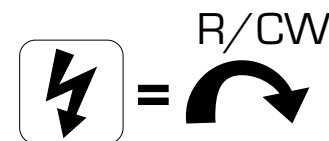
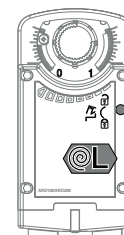
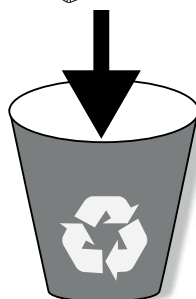
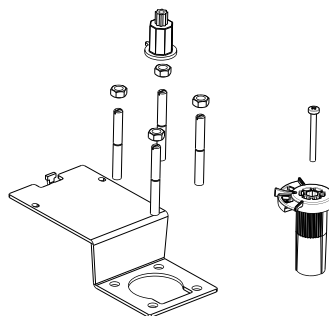
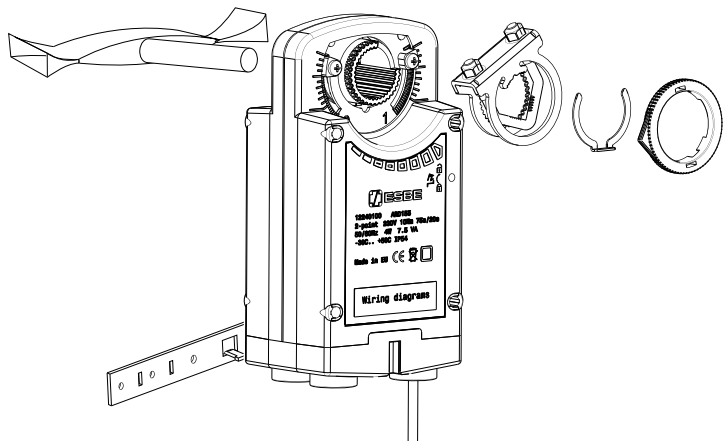


9 - 18 mm



9 - 26 mm

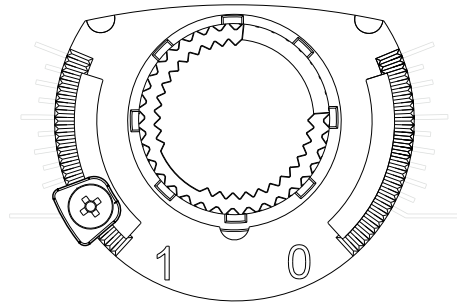
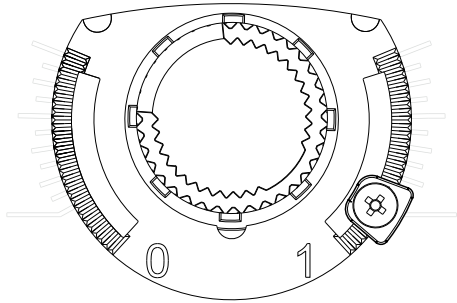
Mtrl.nr: 9814 09 63 • Ritn.nr 8472 vers. A • Rev 1512



Actuator Settings Damper Assembly

**D
1A**

 = 90°

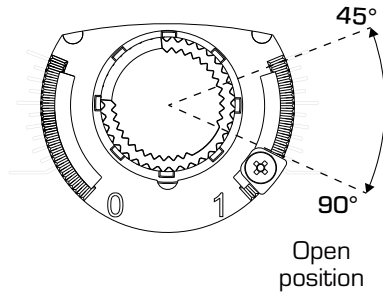
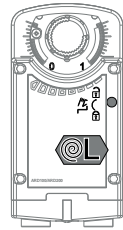


Max working range
0° - 90°

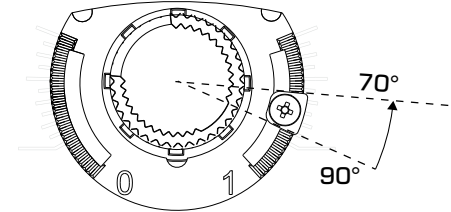
Min working range
0° - 45°

**D
1B**

Limiting working range • Clockwise working direction (R/CW)



Example R/CW working range 0°- 70°

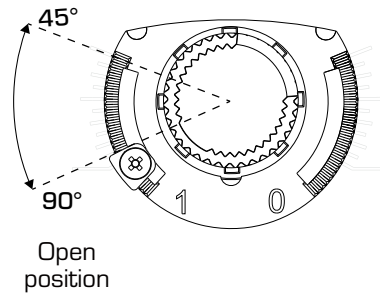
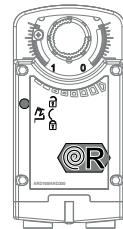


ARD164/
ARD269
Dip Switch 4

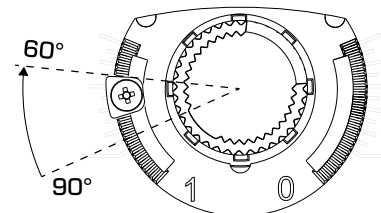


**D
1C**

Limiting working range • Counter clockwise working direction (L/CCW)



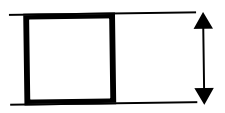
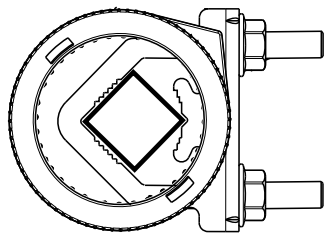
Exampel L/CCW working range 0°- 60°



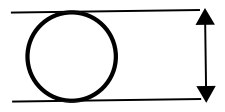
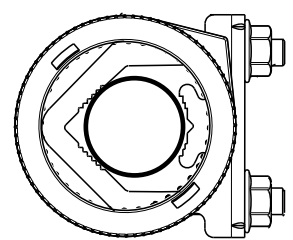
ARD169/
ARD269
Dip Switch 4



i

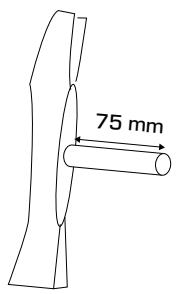


9 - 18 mm

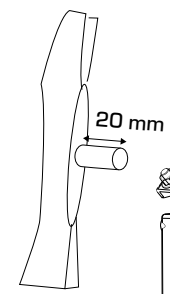
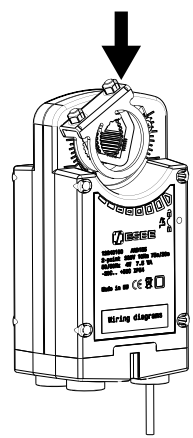


9 - 26 mm

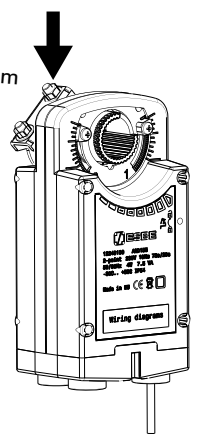
i



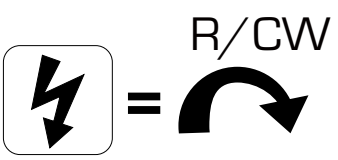
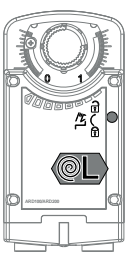
75 mm



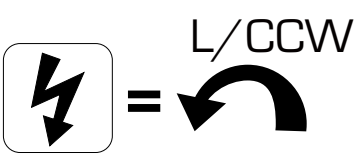
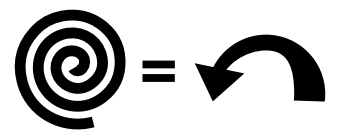
20 mm



i



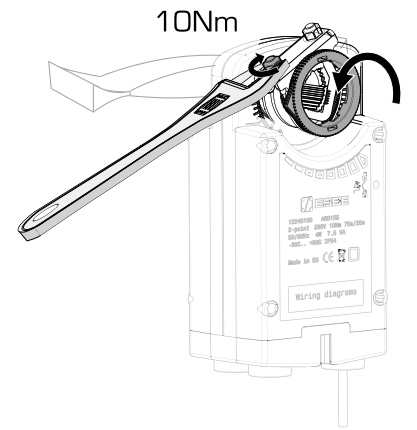
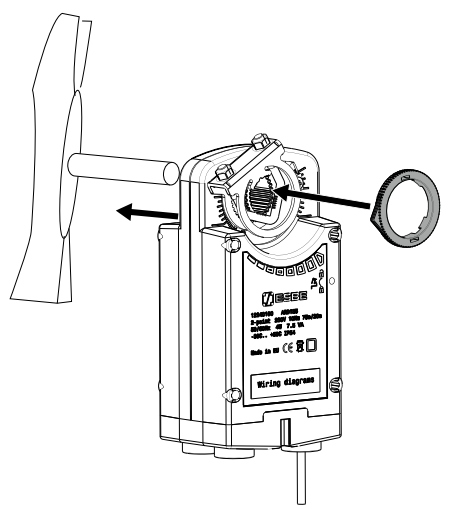
R/CW



L/CCW

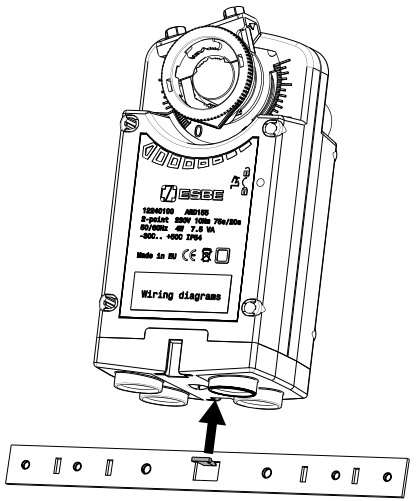


D
2

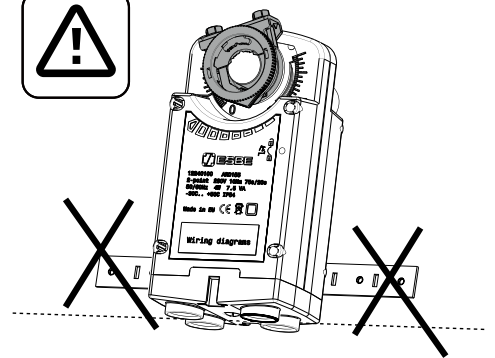
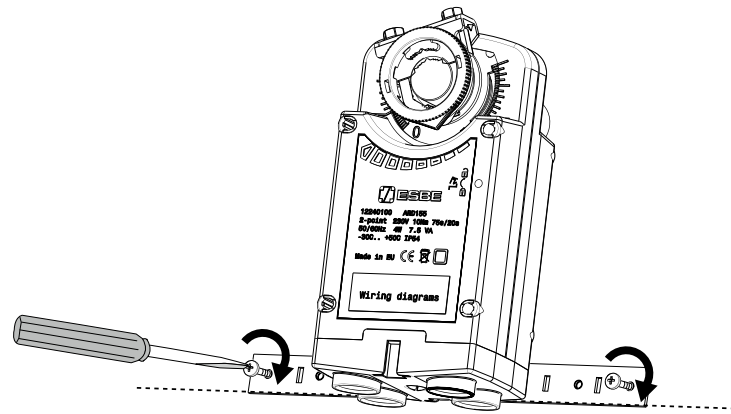


10Nm

D 3



D 4

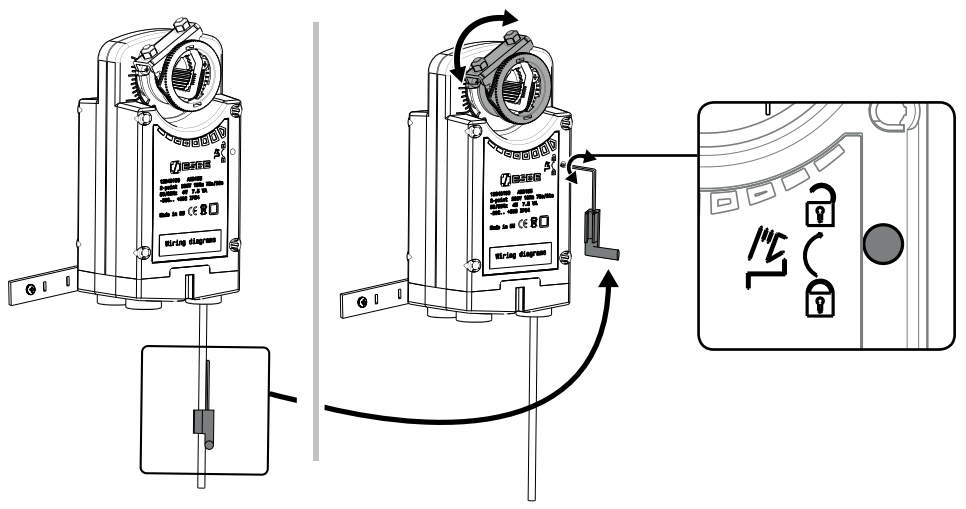


Manual operation

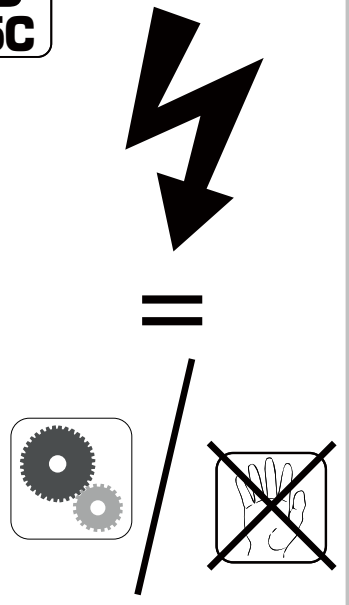
D 5A



D 5B



D 5C



D 6



i

ARD100/ARD200
Electrical
Settings

