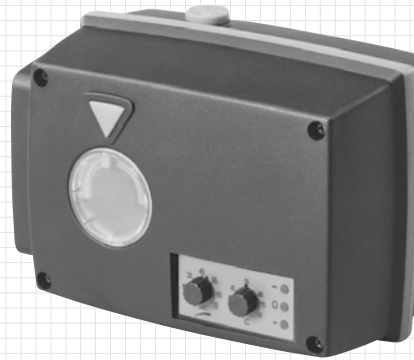




www.esbe.se



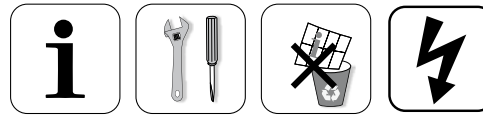
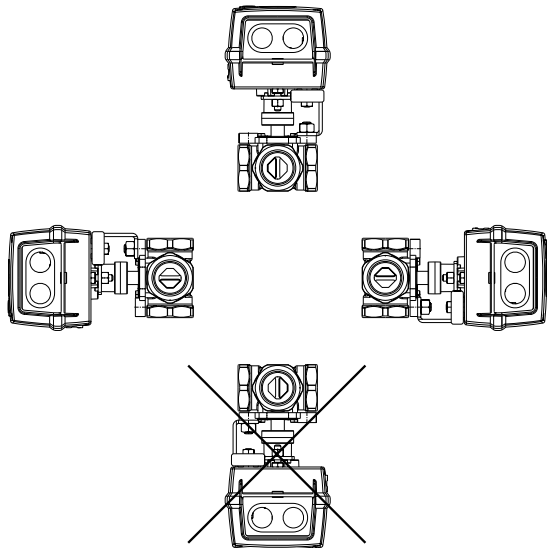
SERIES 90K



NO.1 IN HYDRONIC SYSTEM CONTROL

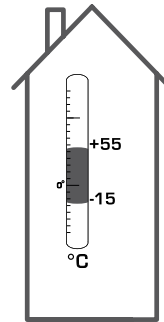
Mtrl.nr. 9814 01 52 • Ritn.nr. 3399 utg. F • Rev. 0806

1



Series 90K

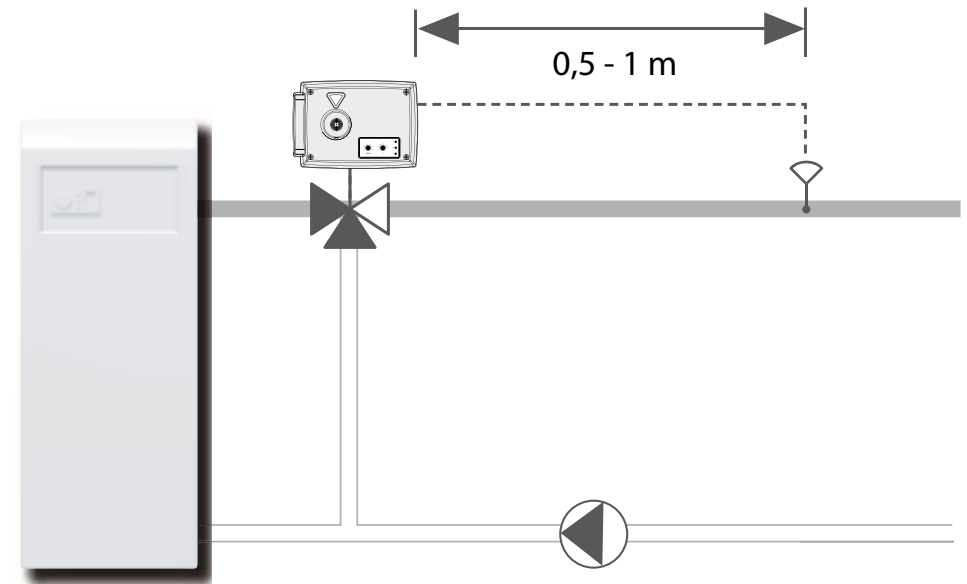
CE
LVD 2006/95/EC
EMC 89/336/EEC
RoHS 2002/95/EEC



SERIES 90K

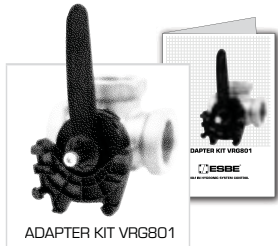


2

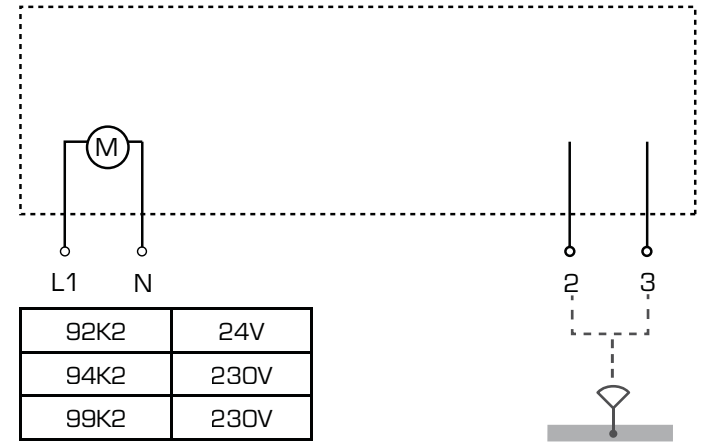
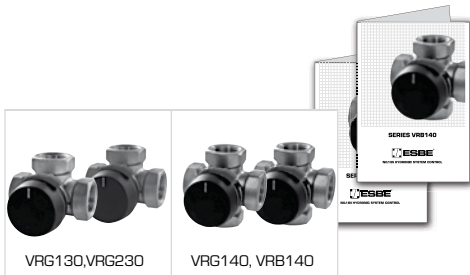


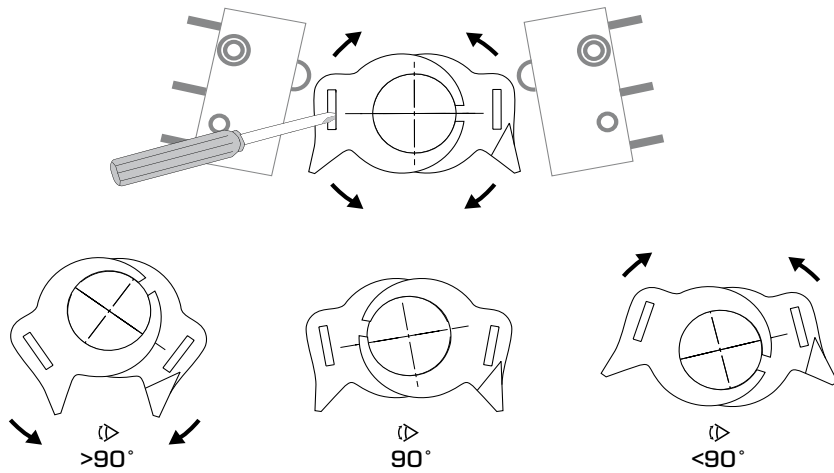
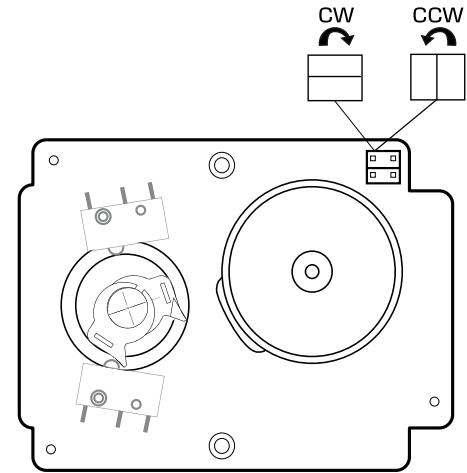
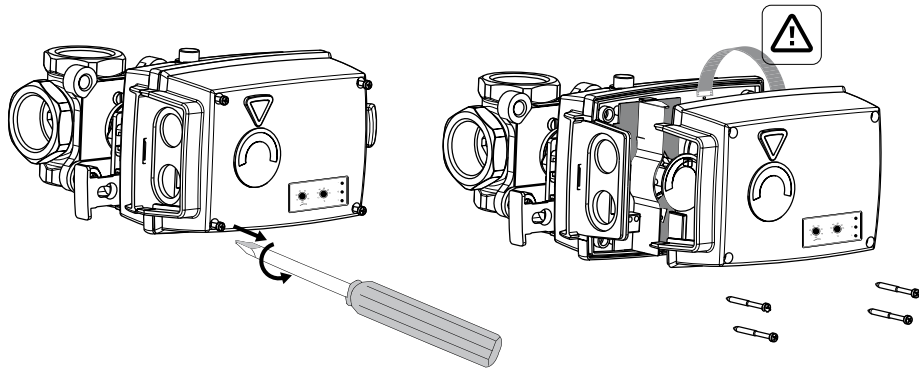


+

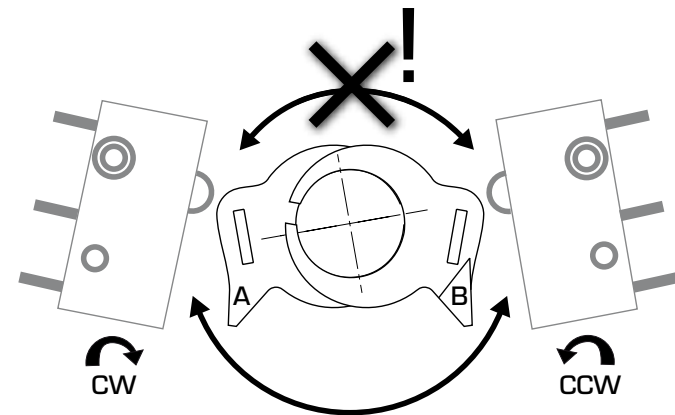


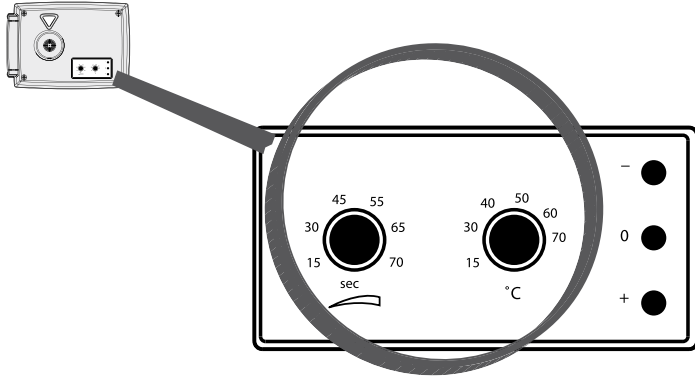
+

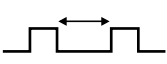




90°





	°C
1-70s	15-70 °C
30s	40°C

